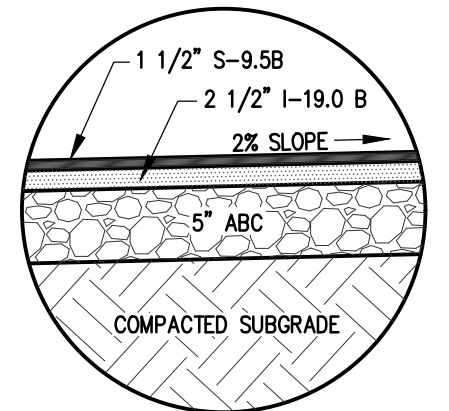
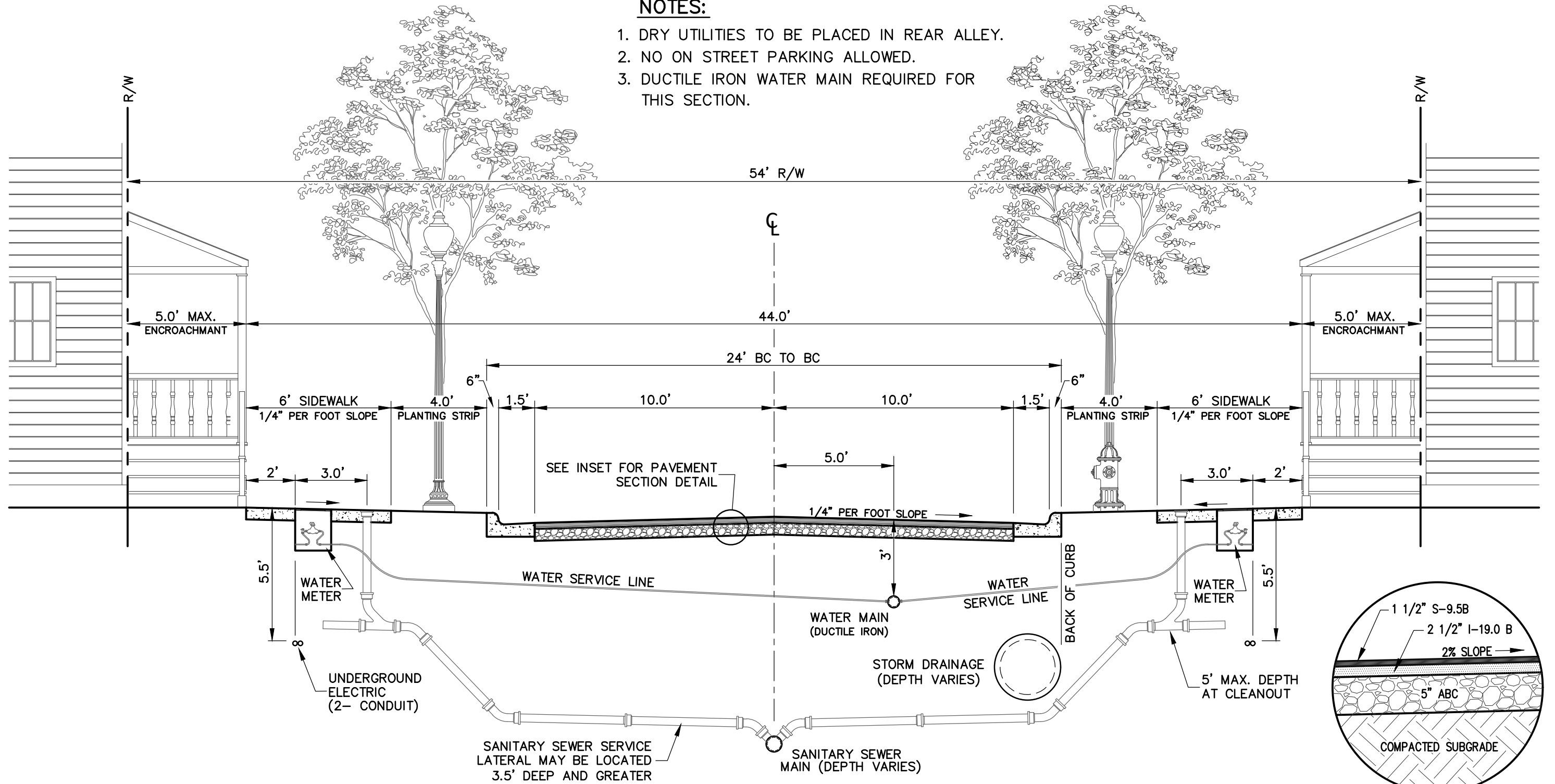


**NOTES:**

1. DRY UTILITIES TO BE PLACED IN REAR ALLEY.
2. NO ON STREET PARKING ALLOWED.
3. DUCTILE IRON WATER MAIN REQUIRED FOR THIS SECTION.



**INSET**  
NOT TO SCALE

REVISED	DATE: 07/13/2021
	SCALE: NONE
	DRAWN BY: MGB, TAJ
	CHECKED BY: TAJ
	CITY ENGINEER: GVS



**STANDARD DETAIL - R2D2**  
**STREET PAIRED WITH REAR ALLEY**  
**ST-54-20**

OFFICE OF THE  
**CITY ENGINEER**  
GASTONIA, N.C.