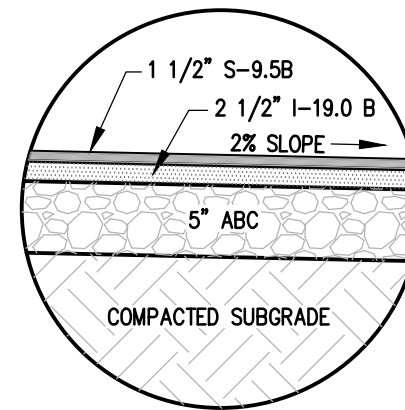
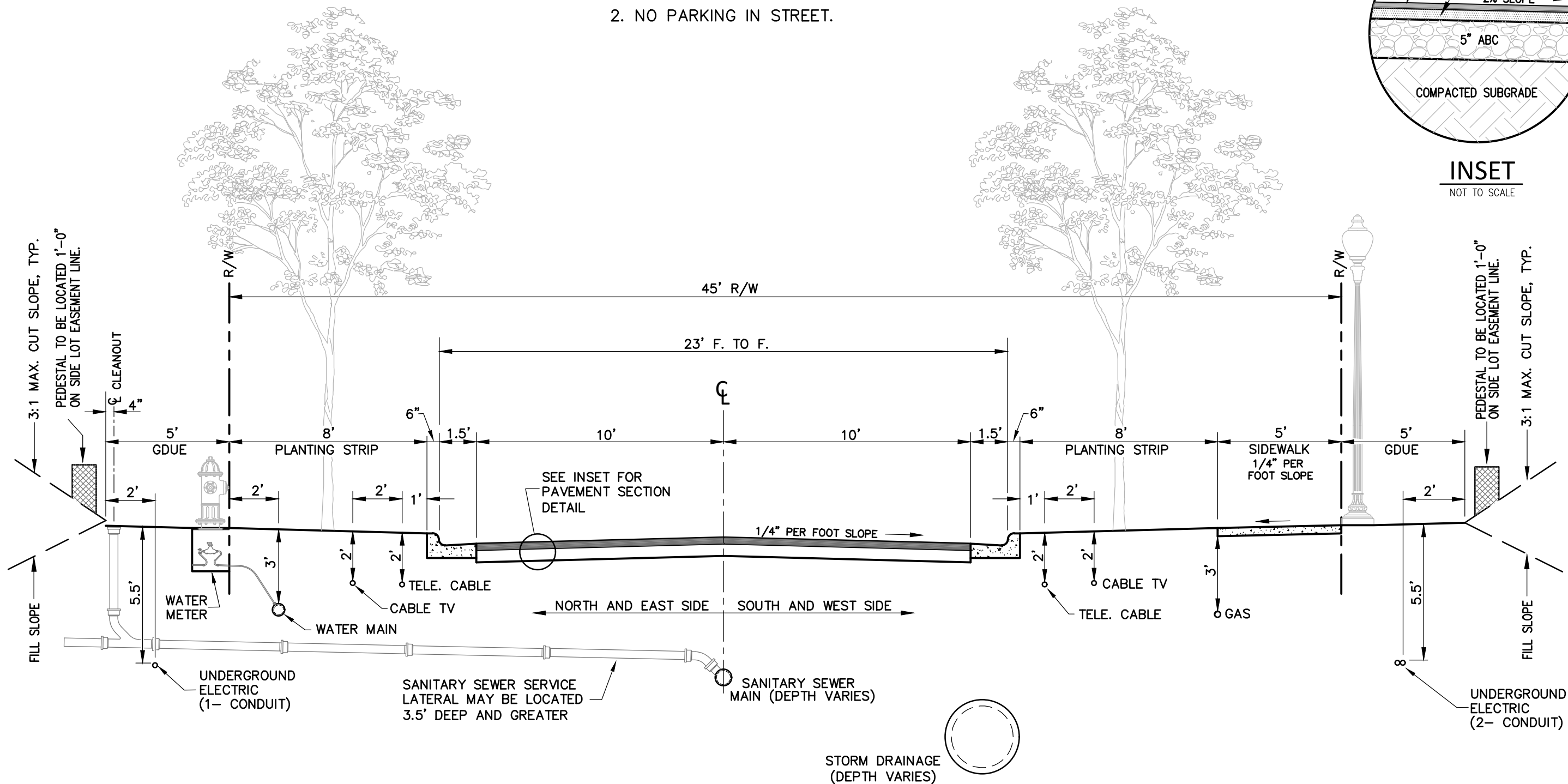


NOTES:

1. NO TREES OVER WATER OR SEWER SERVICE LINES.
2. NO PARKING IN STREET.



INSET
NOT TO SCALE



SHEET 1 OF 2

REVISED	DATE: 03/29/21
	SCALE: NONE
	DRAWN BY: MGB, TAJ
	CHECKED BY: TAJ
	CITY ENGINEER: GVS



STANDARD DETAIL - R2D2
STANDARD STREET CROSS SECTION
ST-45-20

OFFICE OF THE
CITY ENGINEER
GASTONIA, N.C.