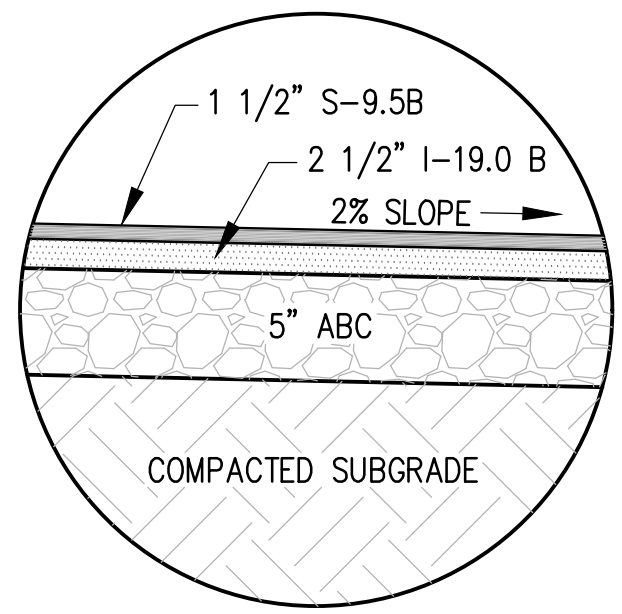


**INSET**  
NOT TO SCALE



REVISED	DATE: 04/13/21
	SCALE: NONE
	DRAWN BY: MGB, TAJ
	CHECKED BY: TAJ
	CITY ENGINEER: GVS



**STANDARD DETAIL - R2D2**  
PRIVATE ALLEY - VALLEY SECTION  
PA-28-22

OFFICE OF THE  
**CITY ENGINEER**  
GASTONIA, N.C.